

NOTE
DIMENSIONS IN [] ARE
INCH EQUIVALENTS.

6 KW
KOHLER DIESEL

REV	DATE	ON COMPOSITE DWGS. SEE PART NO. FOR REVISION LEVEL	BY
-	9-24-10	NEW DRAWING [90488]	DDH
A	7-19-11	OIL FILTER, FUEL FILTER & COOLANT OVERFLOW BOTTLE RELOCATED & DIMENSIONS UPDATED; (C-3) 448 [17.65] DIM. ADDED [91292]	DDH
B	5-20-15	(A-4,1) KOHLER DIESEL WAS LAMBARDINI [CT110915]	SAM

UNLESS OTHERWISE SPECIFIED -
1) DIMENSIONS ARE IN MILLIMETERS
2) TOLERANCES ARE:
X.XX ±
X.X ±
ANGLES ±

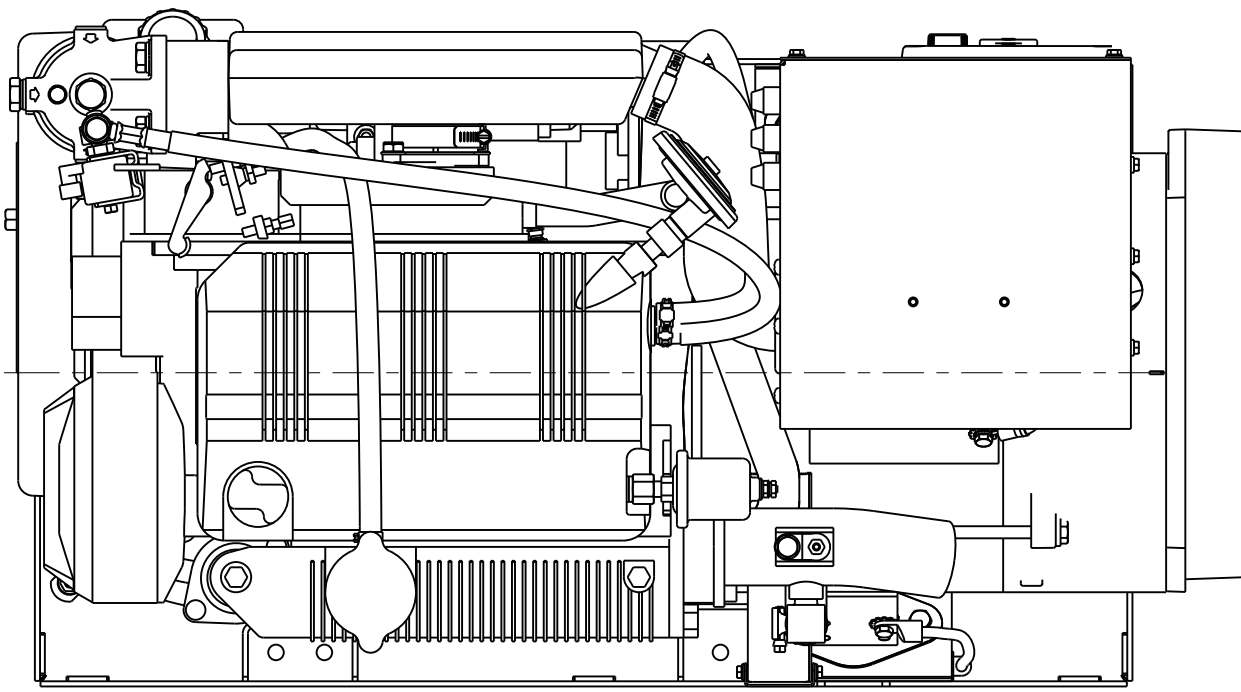
THIRD ANGLE PROJECTION

APPROVALS	DATE
DDH	9-24-10
DDH	9-24-10
BMZ	9-24-10

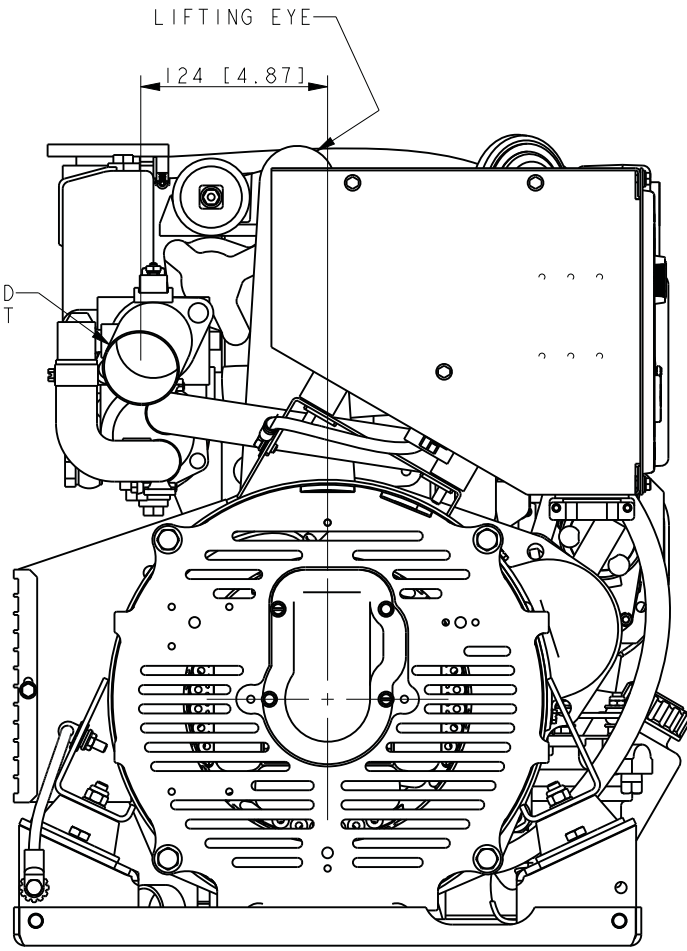
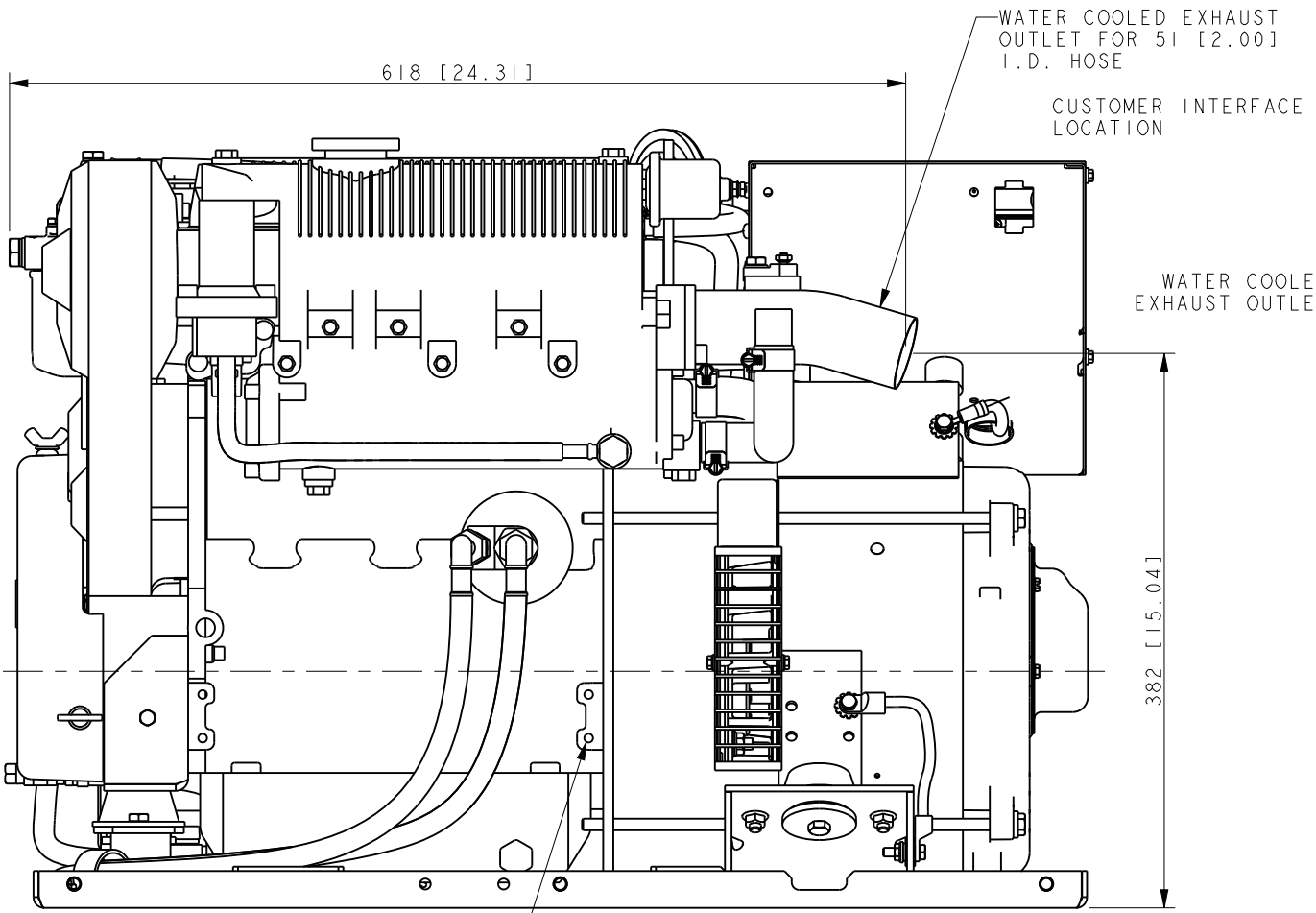
KOHLER CO. METRIC PRO-E
POWER SYSTEMS, KOHLER, WI 53044 U.S.A.
THIS DRAWING IN DESIGN AND DETAIL IS KOHLER CO. PROPERTY AND MUST NOT BE USED EXCEPT IN CONNECTION WITH KOHLER CO. WORK. ALL RIGHTS OF DESIGN OR INVENTION ARE RESERVED.

TITLE
DIMENSION PRINT, 6 KW KOHLER DIESEL

SCALE 0.40 CAD NO. SHEET 1 of 2
DWG NO. **ADV-7941**



OPTIONAL CIRCUIT BREAKER LOCATION
(OPPOSITE SIDE OF JUNCTION BOX)



REV	DATE	ON COMPOSITE DWGS. SEE PART NO. FOR REVISION LEVEL	BY
-	9-24-10	NEW DRAWING [90488]	DDH
A	7-19-11	OIL FILTER, FUEL FILTER & COOLANT OVERFLOW BOTTLE RELOCATED & DIMENSIONS UPDATED [91292]	DDH
B	5-20-15	SEE SHEET 1 [CT110915]	SAM

APPROVALS	DATE
DDH	9-24-10
DDH	9-24-10
BMZ	9-24-10

KOHLER CO. METRIC PRO-E
POWER SYSTEMS, KOHLER, WI 53044 U.S.A.
THIS DRAWING IN DESIGN AND DETAIL IS KOHLER CO. PROPERTY AND MUST NOT BE USED EXCEPT IN CONNECTION WITH KOHLER CO. WORK. ALL RIGHTS OF DESIGN OR INVENTION ARE RESERVED.

TITLE: **DIMENSION PRINT, 6 KW KOHLER DIESEL**

SCALE: 0.40 CAD NO. SHEET 2 of 2
DWG NO. **ADV-7941**