

# FCF Platinum Self-Contained Units

6,000 - 25,000 BTU/h

---

## Platinum is the new standard

The all-new FCF Platinum series is the latest development in Webasto's line of marine comfort solutions. The FCF Platinum features improved design, offering a higher BTU/h rating across a variety of ambient scenarios, while still providing unmatched product reliability and a two-year warranty.

FCF Platinum 12,000 and 16,000 BTU units have been designed with a long and slim footprint to allow for easy replacement of existing air-conditioning units.

### Product Features:

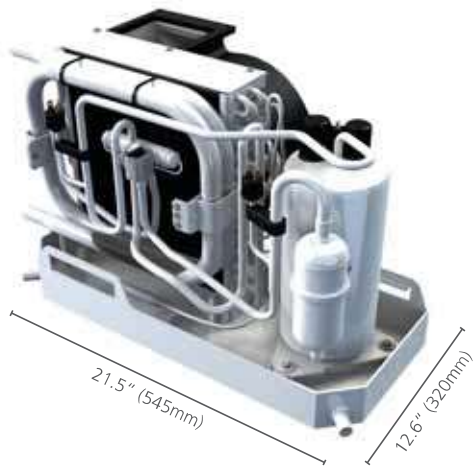
- Long and slim footprint to allow for easy replacement of existing units
- Engineered for better performance with a higher BTU/h rating across a variety of ambient scenarios
- Digital display, controller and cable comes standard
- 2-year warranty with unmatched product reliability
- Marine-grade stainless steel frame for durability and longevity
- Proprietary compressor - well balanced and quieter than ever before
- Low cost replacement parts

# FCF Platinum Self-Contained Units

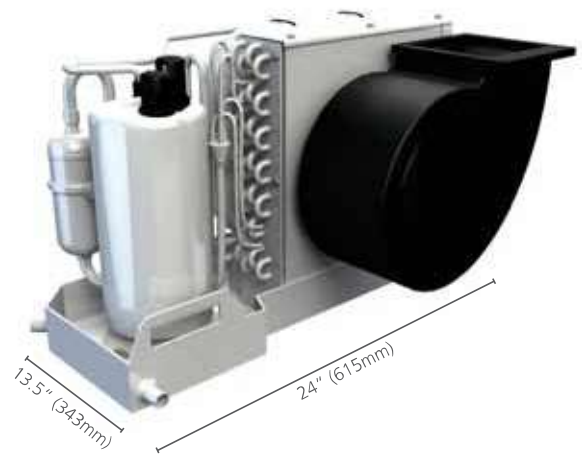
6,000 - 25,000 BTU/h



*New Footprint Ideal for Retrofitting!*



FCF Platinum 12,000 BTU/h



FCF Platinum 16,000 BTU/h

# FCF Platinum Self-Contained Units

6,000 - 25,000 BTU/h

<b>FCFP 6,000</b>	Rated Voltage	115V	230V
	Part Number	5011394A	5011395A
	Cooling Capacity	6,000 BTU/h	
	Heating Capacity	6,000 BTU/h	
	Rated Frequency	60Hz	50 / 60Hz
	Rated Current	4.7 A	2.9 / 2.4 A
	Refrigerant Charge	R410A (0.35kg)	
	Comp. LRA	21A	14A
	Min. Condenser Water Flow	1.06 Gal/Min. (4 L/Min.)	
	Dimensions (L x W x H)	11.2 x 16 x 11.6 in (285 x 408 x 295 mm)	
	Weight	56 lbs (25.5kg)	



<b>FCFP 10,000</b>	Rated Voltage	115V	230V
	Part Number	5011396A	5011397A
	Cooling Capacity	10,000 BTU/h	
	Heating Capacity	10,000 BTU/h	
	Rated Frequency	60Hz	50 / 60Hz
	Rated Current	7.2 A	4.2 / 3.7 A
	Refrigerant Charge	R410A (0.45kg)	
	Comp. LRA	34A	17A
	Min. Condenser Water Flow	1.59 Gal/Min. (6 L/Min.)	
	Dimensions (L x W x H)	15 x 16 x 12.2 in (380 x 408 x 310 mm)	
	Weight	60 lbs (27kg)	



<b>FCFP 12,000</b>	Rated Voltage	115V	230V
	Part Number	5011398A	5011399A
	Cooling Capacity	12,000 BTU/h	
	Heating Capacity	13,000 BTU/h	
	Rated Frequency	60Hz	50 / 60Hz
	Rated Current	10A	5.1 / 4.6 A
	Refrigerant Charge	R410A (0.5kg)	
	Comp. LRA	47A	27A
	Min. Condenser Water Flow	2.77 Gal/Min. (10.5 L/Min.)	
	Dimensions (L x W x H)	21.6 x 13.1 x 12.5 in (549 x 330 x 320 mm)	
	Weight	72 lbs (33kg)	



Cooling Products

# FCF Platinum Self-Contained Units

6,000 - 25,000 BTU/h

<b>FCFP 16,000</b>	Rated Voltage	115V	230V
	Part Number	5011400A	5011401A
	Cooling Capacity	16,000 BTU/h	
	Heating Capacity	16,200 BTU/h	
	Rated Frequency	60Hz	50 / 60Hz
	Rated Current	11.2 A	5.7 / 5.6A
	Refrigerant Charge	R410A (0.7kg)	
	Comp. LRA	60A	35A
	Min. Condenser Water Flow	3.43 Gal/Min. (13 L/Min.)	
	Dimensions (L x W x H)	24.3 x 13.5 x 13 in (619 x 343 x 330 mm)	
	Weight	88 lbs (40kg)	



<b>FCFP 20,000</b>	Rated Voltage	230V	
	Part Number	5011402A	
	Cooling Capacity	20,000 BTU/h	
	Heating Capacity	20,000 BTU/h	
	Rated Frequency	50 / 60Hz	
	Rated Current	10.5/ 7.4 A	
	Refrigerant Charge	R410A (0.85kg)	
	Comp. LRA	44A	
	Min. Condenser Water Flow	5.02 Gal/Min. (19 L/Min.)	
	Dimensions (L x W x H)	20.8 x 23.4 x 15 in (529 x 595 x 386 mm)	
Weight	124 lbs (56.5kg)		



<b>FCFP 25,000</b>	Rated Voltage	230V	
	Part Number	5011403A	
	Cooling Capacity	25,500 BTU/h	
	Heating Capacity	25,900 BTU/h	
	Rated Frequency	50 / 60Hz	
	Rated Current (C/H)	6.8/ 8.0 A	
	Refrigerant Charge	R410A (0.95kg)	
	Comp. LRA	52A	
	Min. Condenser Water Flow	6.34 Gal/Min. (24 L/Min.)	
	Dimensions (L x W x H)	20.8 x 23.4 x 15 in (529 x 595 x 386 mm)	
Weight	133 lbs (60.5kg)		



# FCF Platinum Complete System Kits

6,000 - 16,000 BTU/h

The purchase of an FCF Platinum air conditioning system can be done as a complete system which provides you with all of the appropriate Seawater and Ducting parts to get your unit installed immediately. The components of a FCF Platinum Complete System Kit are also available in the following pages in the event you need additional components or you purchased an FCF Platinum system by itself and need the appropriate additional Seawater or Ducting components. The list below contains the part numbers of the FCF Platinum Complete System Kits currently available.

## »» What do you get with a FCF Platinum Complete System Kit?

**FCF Platinum A/C Unit**



**KoolAir Pump - PM500 or PM1000**



**Return Air Grille, Grille Round w/ Damper, Supply Air Grille, Air Divider Hose and Transition Box**



**Flexible Insulated Duct, Heavy Duty Sewer Hose, Seawater Strainer w/ Scoop, Hardware and Fittings**



# FCF Platinum Complete System Kits

6,000 - 16,000 BTU/h

## FCF Platinum Complete System Kits

<i>Part Number</i>	<i>Description</i>
5012458A	FCF Platinum 6,000 BTU 115V Complete System Kit w/ KoolAir PM500 Pump
5012459A	FCF Platinum 6,000 BTU 230V Complete System Kit w/ KoolAir PM500 Pump
5012460A	FCF Platinum 10,000 BTU 115V Complete System Kit w/ KoolAir PM500 Pump
5012461A	FCF Platinum 10,000 BTU 230V Complete System Kit w/ KoolAir PM500 Pump
5012462A	FCF Platinum 12,000 BTU 115V Complete System Kit w/ KoolAir PM1000 Pump
5012463A	FCF Platinum 12,000 BTU 230V Complete System Kit w/ KoolAir PM1000 Pump
5012464A	FCF Platinum 16,000 BTU 115V Complete System Kit w/ KoolAir PM1000 Pump
5012465A	FCF Platinum 16,000 BTU 230V Complete System Kit w/ KoolAir PM1000 Pump

**New + Improved 3/4" Inlet/Outlet fittings on FCF condensors!**

*\*Two 5/8" to 3/4" adapters included if needed for installation*